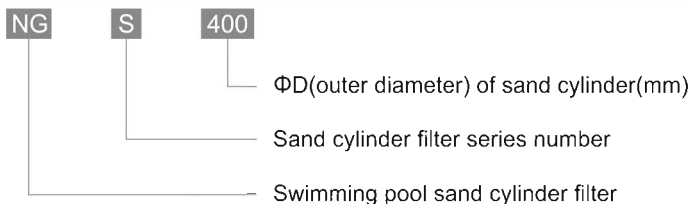


NGS Fiberglass Sand Filter Top Mount

Model Definition



Product Profile

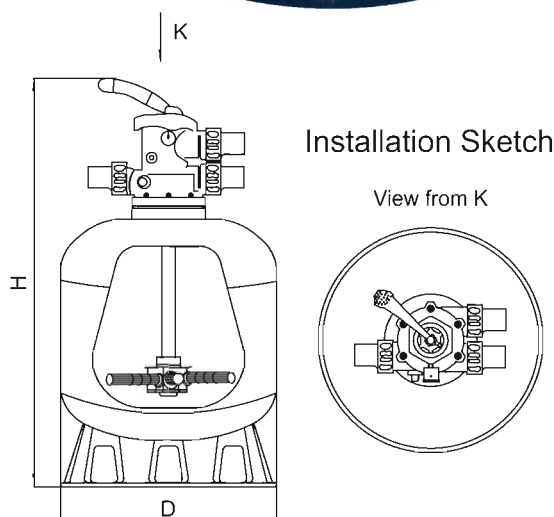
- NGS ejector sand cylinder filter is made of glass fiber and resin with good chemical corrosion resistance, sun protection and UV protection. Sand cylinder has a certain degree of elasticity, not easy to crack and broken. The design of water distributor is unique and efficiency of culvert drainage system is high. After filtering the pool water through the sand tank filter, the effluent turbidity is less than 2 degrees, which has the priority in the filtration system of swimming pool, SPA, water scape and water park.

Working Condition

- Working Temp: 5-50°C
- Max Working Pressure: 0.25MPa
- Ambient Temp: $\leq 50^\circ\text{C}$

Characteristics

- Polyurethane protective layer to protect against ultraviolet rays
- Six-way valve designed ergonomically
- Excellent filtering ability
- Chemical corrosion resistance
- Pressure gauges showing the dynamic pressure
- With side flushing functions, simple operation, no maintenance costs.
- The bottom discharge valve facilitates the removal or replacement of sand in the cylinder.

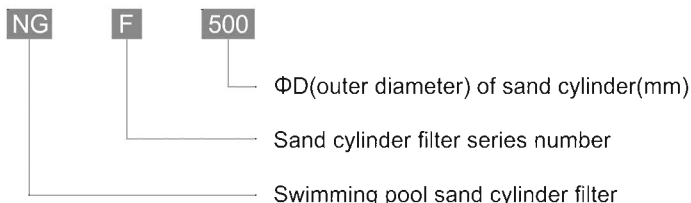


Performance Table

Model	D [inch/mm]	Inter& Outlet [inch]	Flow [m³/h]	Flow [l/min]	Filtration Area [m²]	Filter Material [KG]	H [mm]	Size [mm]	Weight [KG]
NGS-400	16"/ Φ 400	1.5"	6.3	105	0.13	35	435	410*410*490	11.5
NGS-450	18"/ Φ 450	1.5"	7	117	0.14	50	725	440*440*540	12.5
NGS-500	20"/ Φ 500	1.5"	10	167	0.20	80	805	510*510*670	14
NGS-600	24"/ Φ 600	1.5"	15	250	0.30	160	875	630*630*670	19
NGS-700	28"/ Φ 700	1.5"	18.5	308	0.37	220	975	710*710*670	22.5
NGS-800	32"/ Φ 800	2"	25	417	0.50	370	1145	830*830*930	39.5
NGS-900	36"/ Φ 900	2"	30	500	0.64	447	1255	900*900*990	40
NGS-1000	40"/ Φ 1000	2"	35	583	0.79	700	1350	1030*1030*1200	55
NGS-1100	44"/ Φ 1100	2"	44	733	0.98	960	1490	1135*1135*1260	60
NGS-1200	48"/ Φ 1200	2"	50	833	1.13	1200	1555	1230*1230*1380	68
NGS-1400	56"/ Φ 1400	2"	68	1133	1.53	1700	1775	1410*1410*1550	96

NGF Fiberglass Sand Filter Side Mount

Model Definition



Product Profile

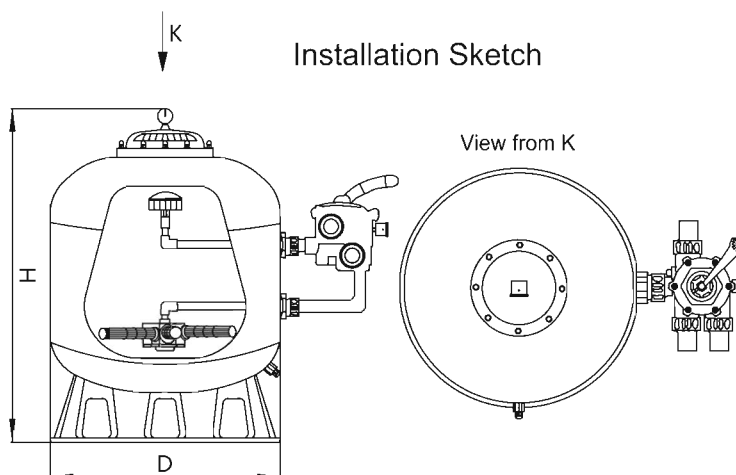
- NGS ejector sand cylinder filter is made of glass fiber and resin with good chemical corrosion resistance, sun protection and UV protection. Sand cylinder has a certain degree of elasticity, not easy to crack and broken. The design of water distributor is unique and efficiency of culvert drainage system is high. After filtering the pool water through the sand tank filter. The effluent turbidity is less than 2 degrees which has the priority in the filtration system of swimming pool, SPA, water scape and water park.

Working Condition

- Working Temp: 5-50°C
- Max working pressure: 0.25MPa
- Ambient Temp: ≤50°C

Characteristics

- The cylinder body is made of glass fiber, and the surface is treated with uv protection
- Ergonomic design of six - way valve
- Stainless steel shockproof pressure gauge
- Built-in filter bottom tube, easy maintenance
- The bottom sand discharge valve facilitates the removal of goods to replace sand in the sand cylinder.



Performance Table

Model	D [inch/mm]	Inter& Outlet [inch]	Flow [m³/h]	Flow [l/min]	Filtration Area[m²]	Filter Material [KG]	H [mm]	Size [mm]	Weight [KG]
NGF-500	20"/ø500	1.5"	10	167	0.20	80	590	510*510*670	14
NGF-600	24"/ø600	1.5"	15	250	0.30	160	660	630*630*670	19
NGF-700	28"/ø700	1.5"	18.5	308	0.37	220	740	710*710*670	22.5
NGF-800	32"/ø800	2"	25	417	0.50	370	890	830*830*930	39.5
NGF-900	36"/ø900	2"	30	500	0.64	447	960	900*900*990	40
NGF-1000	40"/ø1000	2"	35	583	0.79	700	1080	1030*1030*1200	57
NGF-1200	48"/ø1200	2"	50	833	1.13	1200	1250	1230*1230*1380	68

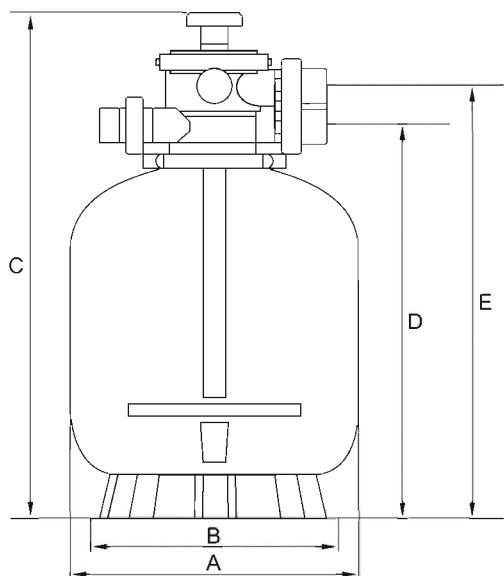
NGA Plastic Sand Filter Top Mount

Working Condition

- Max Working Pressure:200kpa/28psi/2.0bar
 - Factory Testing Pressure:300kpa/44psi/3.0bar
 - Max Water Temp:40°C(104°F)
 - Size Of Silica Sand:0.5-0.8mm
 - Max Filtration Velocity:50m³/h/m²
- Color can be customized

Features

- Compact and light weight
- Designed for most swimming pools or SPA pools
- Clamp lock is designed to allow 360 degree rotation to simplify installation
- Easy-to-use multiport valve lets you select any of the valve/filter operation with a simple lever-action



Performance Table

Model No.	A		B		C		D		E		Filter Area [m ²]	Valve Connections		Max Flow Rate		Sand [KG]
	mm	in	mm	in	mm	in	mm	in	mm	in						
NGA2501	360	14.2	340	13.4	730	28.7	550	21.7	619	24.4	0.1	1.5inch	50mm	72LPM	4.32m³/h	20
NGA2502	400	15.7	340	13.4	810	31.9	590	23.2	640	25.2	0.13	1.5inch	50mm	102LPM	6.12m³/h	35
NGA2503	460	18.1	420	16.5	840	33.1	638	25.1	698	27.5	0.16	1.5inch	50mm	130LPM	7.8m³/h	45
NGA2504	510	20.1	420	16.5	860	33.9	670	26.4	730	28.7	0.22	1.5inch	50mm	180LPM	10.8m³/h	85
NGA2505	620	24.4	480	18.9	1075	42.3	900	35.4	960	37.8	0.31	1.5inch	50mm	255LPM	15.3m³/h	145

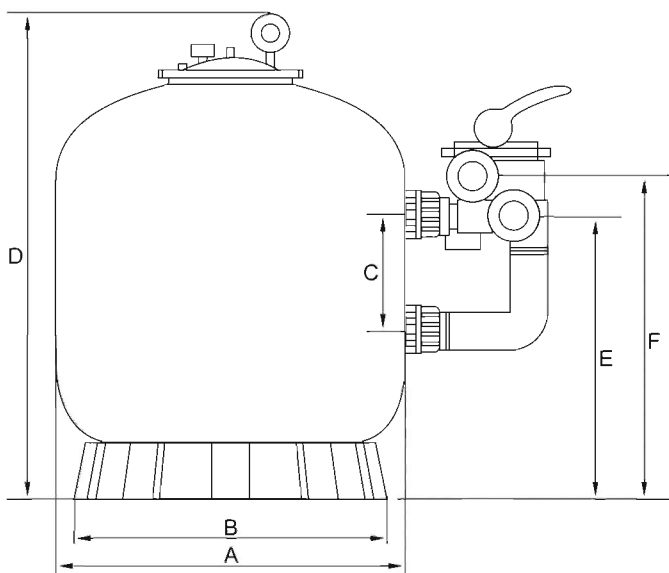
NGC Plastic Sand Filter Side Mount

Working Condition

- Max Working Pressure: 200kpa/28psi/2.0bar
 - Factory Testing Pressure: 300kpa/44psi/3.0bar
 - Max Water Temp: 40°C(104°F)
 - Size Of Silica Sand: 0.5-0.8mm
 - Max Filtration Velocity: 50m³/h/m²
- Color can be customized

Features

- Transparent lid cover allows easy inspection of the sand bed
- Top diffuser ensures even distribution of water over the top of the sand bed
- Air relief enables easy release of trapped air during operation of the filter
- Easy-to-use multiport valve lets you select any of the valve/filter operation with a simple lever-action



Performance Table

Model No.	A		B		C		D		E		F		Filter Area [m ²]	Valve Connections	Max Flow Rate	Sand [KG]
	mm	in	mm	in	mm	in	mm	in	mm	in	mm	in				
NGC2506	460	18.1	420	16.5	180	7.1	660	26	440	17.3	500	19.6	0.16	1.5inch 50mm	130LPM 7.8m ³ /h	45
NGC2507	510	20.1	420	16.5	180	7.1	700	27.6	460	18.1	520	19.6	0.22	1.5inch 50mm	180LPM 10.8m ³ /h	85
NGC2508	620	24.4	480	18.9	180	7.1	940	37	510	20.1	570	22.4	0.31	1.5inch 50mm	255LPM 15.3m ³ /h	145